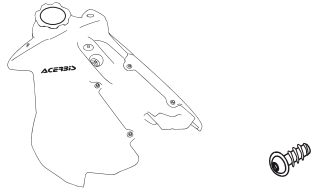


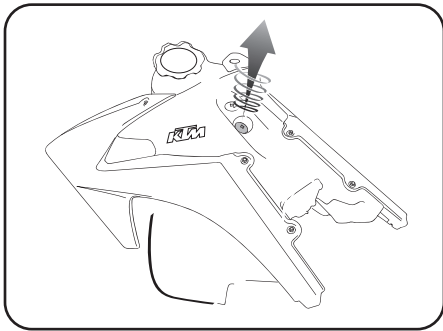


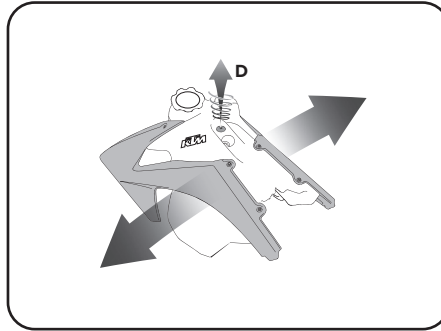
**SERBATOIO 12L KTM**

COD. 500005481 REV1

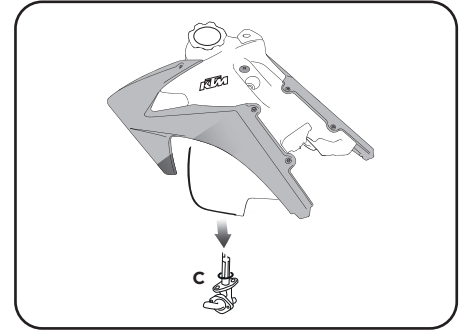
ACERBIS PARTS	O.E.M ITEMS TO USE:	ACERBIS PARTS ONLY FOR US TANKS
 <p><b>A</b> - (1 pcs.)      <b>B</b> - (4 pcs.)</p>	 <p><b>C</b> - (1 pcs.)      <b>D</b> - (1 pcs.)</p>	 <p><b>D</b> - (1 pcs.)      <b>E</b> - (6 pcs.)</p>



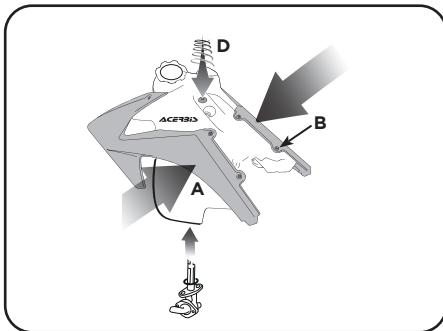
**1.** Svitare la vite serbatoio.  
**Remove the tank screws.**



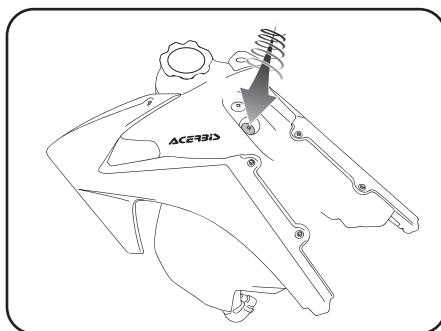
**2.** Rimuovere i fianchetti, la vite-sella, il serbatoio KTM.  
**Remove the radiator scoops, the seat screw, the KTM tank.**



**3.** Svuotare completamente la benzina dal serbatoio e rimuovere il rubinetto benzina.  
**Empty your fuel tank completely and remove the petcock C.**



**4.** Mettere la vite-sella, montare i fianchetti, rimontare il rubinetto sul serbatoio Acerbis.  
**Insert the seat screw, assemble the radiator scoops, reconnect the petcock on the Acerbis fuel tank.**



**5.** Posizionare il serbatoio sulla moto, e riavvitare la vite-serbatoio.  
**Arrange the tank on the bike, and screw the tank screw back on.**

**SERBATOIO 12L KTM**

COD. 500005481 REV1



**Thank you** for purchasing an ACERBIS fuel tank

## WARNING

It is **EXTREMELY IMPORTANT** that the fuel tank be properly installed. To ensure proper installation, it is **STRONGLY RECOMMENDED** that the tank be installed only by a qualified OEM licensed dealership mechanic. Improper installation could result in serious injury or even death.

**If self-installed NOTE THE FOLLOWING.** Particular attention must be paid to excessive fuel line length and fuel line proximity to hot engine areas and pipes to prevent fire.

Clean tank interior thoroughly before installation. Install this fuel tank only in a well ventilated area, as gasoline fumes are extremely dangerous. Do not start or operate the vehicle if there are any fuel leaks! Read all instruction first before beginning installation.

## DISCLAIMER

Due to uncontrolled variables in the manufacturing process of rotationally molded fuel tanks, the fuel tank may vary in size and shape by up to 7% of the manufacturer's original listed capacity.

### DISCLAIMER:

DISCLAIMER: Due to uncontrolled variables in the manufacturing process of rotationally molded fuel tanks, the fuel tank may vary in size and shape by up 7% of the manufacturer's original listed capacity.

### LIBERATORIA

LIBERATORIA: A causa di variabili inponderabili nel processo di stampaggio rotazionale dei serbatoi, questi possono differire in forma e dimensioni fino al 7% rispetto alla capacita' dichiarata.

**FOR COMPETITION USE ONLY**  
**SOLO PER USO AGONISTICO**